

## LM40 Series Peristaltic Pump

### Box-type Peristaltic Pump



- The minimum speed can reach 0.1 rpm
- Motor subdivision adaptive, with high-performance processor and motor drive to control stepper motor
- The speed can be adjusted through the keypad or rotary encoder
- LED displays the CW/CCW rotation, foot switch status, motor running status, and the status of external control interface, etc., the display is intuitive, the operation is convenient, and the content is simple
- Support various control modes: keypad control mode, RS485 communication control mode, external control mode (optional multiple signal conversion modules), passive contact state output.

#### LM40A Pump Head



SN15 YZ1515X/YZ2515X

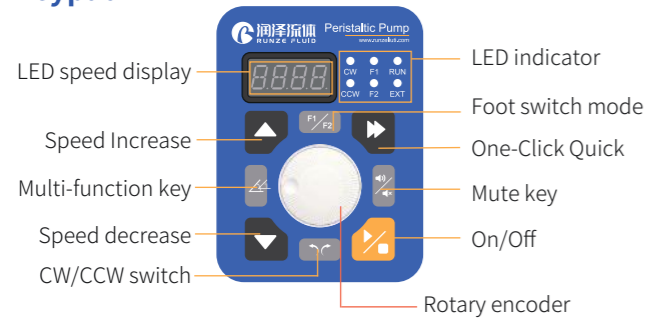
#### LM40B Pump Head



RZ1030-4 RZ1030B RZ-01 RZ-02

Note : Refer to page P37 for pump tube installation[SN15] and [YZ1515X/YZ2515X] and [RZ1030-4],RZ-01 refer to page P41, RZ-02 refer to page P42

#### Keypad

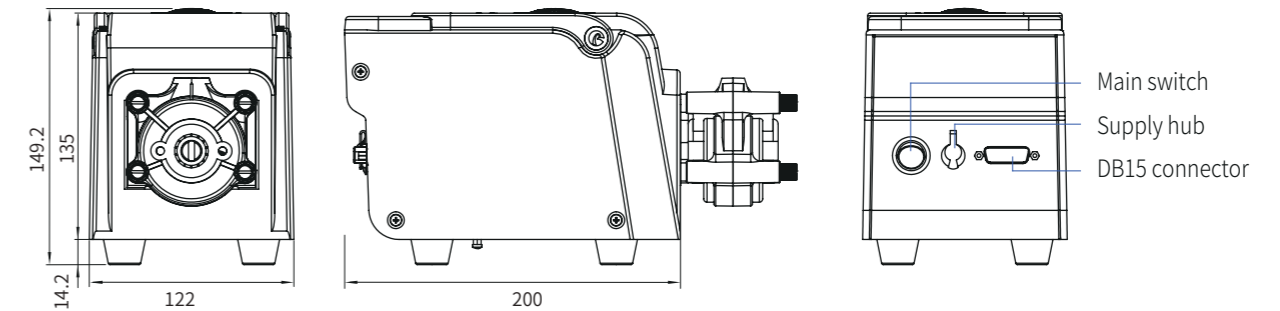


#### Technical Parameter

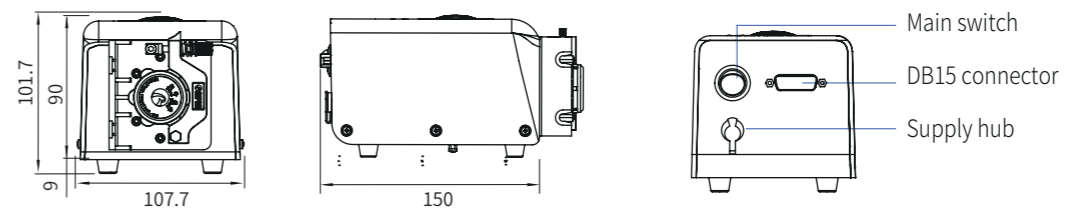
Model No.	LM40A	LM40B
Speed range	0.1rpm~300/400rpm (the Max. Speed varies from pump head or pump tubing configuration)	
Speed resolution	±0.1rpm	
Flow rate range	0.027~1295ml/min	0.03~183ml/min
Foot pedal input interface	Foot switch control start and stop (Keypad control mode only)	
Input interface for external control signal of regulating speed	Support switching multiple control inputs (External control mode only)	
Input interface for external control veer signal	Support veer switching control inputs (External control mode/ Foot switch mode only)	
Input interface for external control start signal	Support start/stop switching control inputs (External control mode only)	
Communication Control	RS485(Communication control mode only)	
Power Supply	DC24V± 10%	
Power	35W	20W
Operating temperature	0°C ~ 40 °C	
Operating humidity	< 80% relative humidity, non-condensing	
Net weight	1.64kg (without pump head)	0.09kg (without pump head)
IP Grade	IP31	

#### Dimension (unit: mm)

##### LM40A



##### LM40B



#### Flow Rate Table

Model No.	Pump head	Color	Rollers	Max. Flow Rate (ml/min)																	
				14#	16#	25#	17#	15#	24#												
LM40A	SN15-3	semi-opaque	3	68 (300rpm)	270 (300rpm)	573 (300rpm)	997 (300rpm)	—	—												
	YZ1515X-3B	white	3	117 (400rpm)	389 (400rpm)	752 (400rpm)	1249 (400rpm)	—	—												
	YZ1515X-3H	black																			
	YZ1515X-6B	white	6	76 (400rpm)	244 (400rpm)	—	—	—	—												
	YZ1515X-6H	black																			
	YZ2515X-3B	white	3	—	—	—	—	—	783 (400rpm)	1295 (400rpm)											
YZ2515X-3H	black																				
Model No.	Pump head	Rollers	Max. Flow Rate (ml/min)																		
			0.8															1.0			
			WT (mm)	ID (mm)	0.64	0.76	0.89	1.02	1.14	1.30	1.42	1.52	1.65	1.85	2.06	2.29	2.54	2.79	1.0	2.0	3.0
LM40B	RZ1030/1030B	4	Max. Flow Rate ml/min	12	15	18	25	32	38	47	50	56	70	87	94	113	128	24	74	183	
		8	Max. Flow Rate ml/min	9	14	17	21	27	32	38	42	43	55	61	71	77	81	17	57	114	
	Pump head	Rollers	WT (mm)	0.8															1.6		
			ID (mm)	0.64	0.76	0.89	1.02	1.14	1.30	1.42	1.52	1.65	1.85	2.06	2.29	2.54	2.79	0.8	1.6	2.4	3.2
RZ-01	4	Max. Flow Rate ml/min	12	13	16	22	28	34	42	44	47	60	65	88	90	96	14	48	94	152	
		Max. Flow Rate ml/min	16	18	27	30	37	47	59	64	71	94	104	126	153	161	23	57	112	236	
RZ-02	3	Max. Flow Rate ml/min	16	18	27	30	37	47	59	64	71	94	104	126	153	161	23	57	112	236	
		6	Max. Flow Rate ml/min	13	16	21	26	31	39	45	48	55	61	82	86	105	114	19	51	105	183

Note:

1. (300rpm)(400rpm) is the maximum speed under specific pump head and tube size.
2. Test under room temperature 20°C and no external pressure (water), flow rate may vary from different media, condition, pressure, humidity, temperature etc, The date for reference only.