

LM60 Series Peristaltic Pump

Box-type Peristaltic Pump



- Metering mode: continuous, booking, rationing, calibration
- Foot pedal (switch) control support
- Preset dispensing volume, interval time, cycle times
- Speed resolution 0.1rpm and flow rate calibration lead to high accuracy dispensing volume
- LCD display screen and membrane buttons works together to control speed, flow rate, volume and time
- Mainly used for bottle fillings in laboratory and production line

LM60A Pump Head



SN15

YZ1515X/YZ2515X

LM60B Pump Head



RZ1030-4

RZ1030B

RZ-01

RZ-02

Note: Refer to page P37 for pump tube installation[SN15] and [YZ1515X/YZ2515X] and [RZ1030-4],RZ-01 refer to page P41, RZ-02 refer to page P42

Working Mode

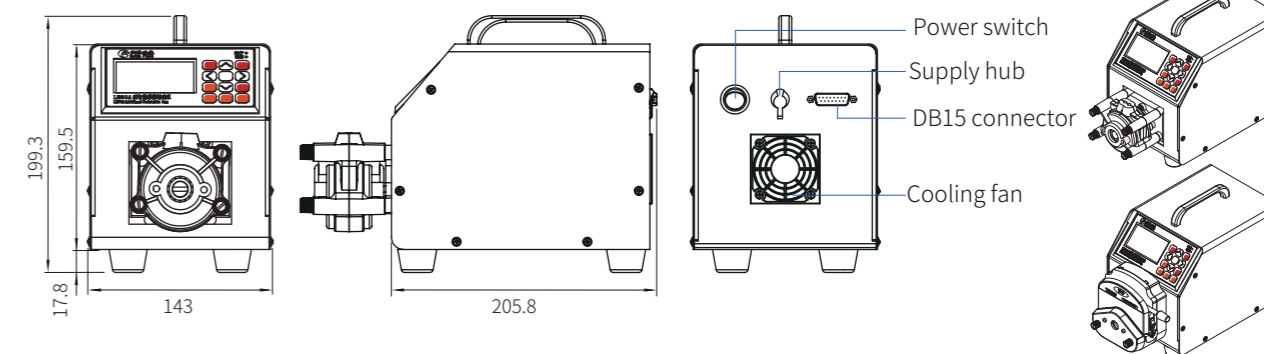
- 1. Calibration Mode** - For ensure accuracy of dispensing volume and flow rate before starting any other working mode or when pump/tubing get replaced
- 2. Continuous Mode** - For continuous liquid transfer with no specific requirements
- 3. Rationing Mode** - Realize one-off liquid dispensing in specific volume within specific period of time under specific speed
- 4. Reservation Mode** - Realize liquid dispensing in specific volume at N times under specific speed

Technical Parameter

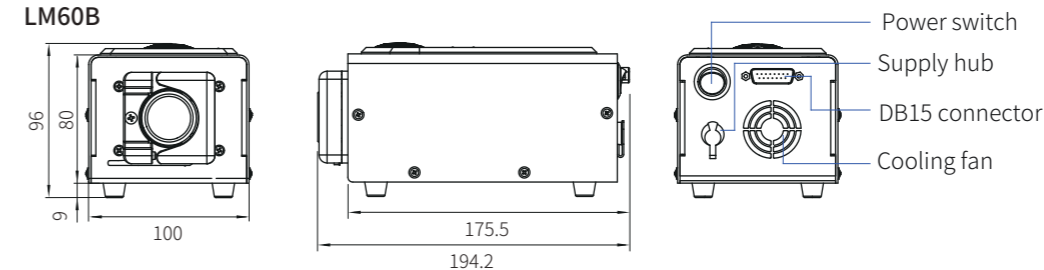
Model No.	LM60A	LM60B
Speed range	0.1rpm~300/400rpm(Maximum speed vary from different pump heads,tube type and tube sizes)	
Speed resolution	±0.1rpm	
Working mode	Continuous mode, Rationing mode, Booking mode, Calibration mode	
Pedal signal port	Foot pedal switch control start and stop (only keyboard control mode)	
Speed signal port	Foot pedal switch control start and stop (only keyboard control mode)	
Direction signal port	Support steering switch control input (external control mode only)	
ON/OFF signal port	Support ON/OFF switch control input (external control mode only)	
Communication port	RS232/RS485 (only in communication control mode)	
Rotary coding port	—	can rotate to change editing position and content (only LM60B)
Power supply	DC24V±10%	
Power	30W	20W
Operating temperature	0°C ~ 40°C	
Operating humidity	<80% relative humidity, non-condensing	
Protection level	IP31	
Net weight	3.5kg (without pump head)	1.45kg(without pump head)

Dimension (unit: mm)

LM60A



LM60B



Flow Rate Table

Model No.	Pump head	Color	Rollers	Max. Flow Rate (ml/min)					
				14#	16#	25#	17#	15#	24#
LM60A	SN15-3	semi-opaque	3	68 (300rpm)	270 (300rpm)	573 (300rpm)	997 (300rpm)	—	—
	YZ1515X-3B	white	3	117 (400rpm)	389 (400rpm)	752 (400rpm)	1249 (400rpm)	—	—
	YZ1515X-3H	black							
	YZ1515X-6B	white	6	76 (400rpm)	244 (400rpm)	—	—	—	—
	YZ1515X-6H	black							
	YZ2515X-3B	white	3	—	—	—	—	783 (400rpm)	1295 (400rpm)
YZ2515X-3H	black								

Model No.	Pump head	Rollers	Max. Flow Rate (ml/min)																					
			WT (mm)																					
			0.8									1.0												
			ID (mm)			0.64	0.76	0.89	1.02	1.14	1.30	1.42	1.52	1.65	1.85	2.06	2.29	2.54	2.79	1.0	2.0	3.0		
LM60B	RZ1030/1030B	4	Max. Flow Rate ml/min			12	15	18	25	32	38	47	50	56	70	87	94	113	128	24	74	183		
	RZ1030B	8	Max. Flow Rate ml/min			9	14	17	21	27	32	38	42	43	55	61	71	77	81	17	57	114		
LM60B	Pump head	Rollers	WT (mm)																					
			0.8									1.6												
				ID (mm)			0.64	0.76	0.89	1.02	1.14	1.30	1.42	1.52	1.65	1.85	2.06	2.29	2.54	2.79	0.8	1.6	2.4	3.2
	RZ-01	4	Max. Flow Rate ml/min			12	13	16	22	28	34	42	44	47	60	65	88	90	96	14	48	94	152	
RZ-02	3	3	Max. Flow Rate ml/min			16	18	27	30	37	47	59	64	71	94	104	126	153	161	23	57	112	236	
			6	Max. Flow Rate ml/min			13	16	21	26	31	39	45	48	55	61	82	86	105	114	19	51	105	183

Note:

1. (300rpm)(400rpm) is the maximum speed under specific pump head and tube size.
2. Test under room temperature 20°C and no external pressure (water), flow rate may vary from different media, condition, pressure, humidity, temperature etc. The date for reference only.