

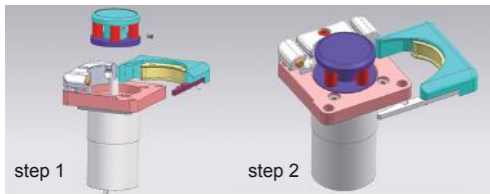
## ZL12(24)-RZ1030-4

直流电机蠕动泵

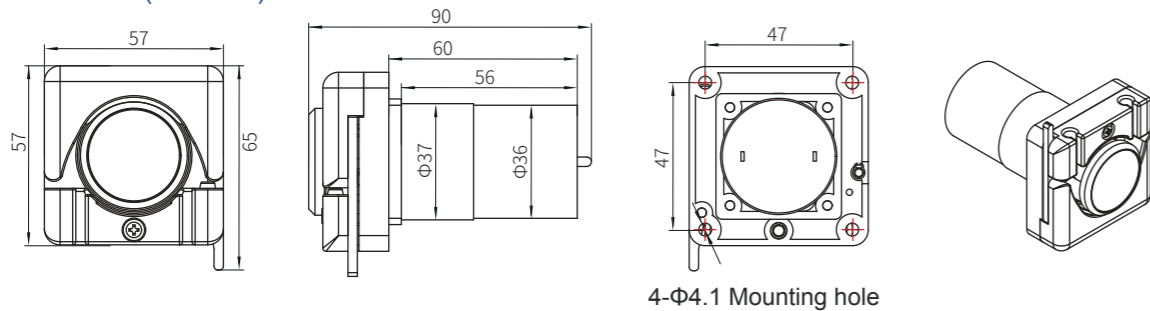


- Small compact structure, low power consumption
- Easy replace tubing, various standard tube sizes
- 12V or 24V DC motor equipped, easy control
- Brand label OEM support
- Widely used in medical, environmental, industrial analyzers

### Roller Mounting Steps



### Dimension (unit:mm)



### Technical Parameter

Model No.	Motor Type	Input Voltage	Rated Current	Rate Power	Speed	Net Weight	Working Environment	Max.DB
ZL12-RZ1030-4	DC motor	12V	0.04~0.2A	0.9~5W	100/200/300rpm	247g	Temp.0~40℃ Humidity<80%	75dB
ZL24-RZ1030-4		24V				245g		

### Flow Rate Table

Tubing	Rubber tube														Silicone tube		
	ID*WT(mm)	0.64*0.8	0.76*0.8	0.89*0.8	1.02*0.8	1.14*0.8	1.30*0.8	1.42*0.8	1.52*0.8	1.65*0.8	1.85*0.8	2.06*0.8	2.29*0.8	2.54*0.8	2.79*0.8	1*1	2*1
ZL12-RZ1030-4 (ml/min)	6	9	10	13	14	22	28	31	37	46	55	58	95	105	15	47	122
ZL24-RZ1030-4 (ml/min)	10	13	16	22	24	32	36	41	46	54	67	96	112	125	23	86	140

Note: Test under room temperature 20℃ and no external pressure (water), flow rate may vary from different media, condition, pressure, humidity, temperature etc.

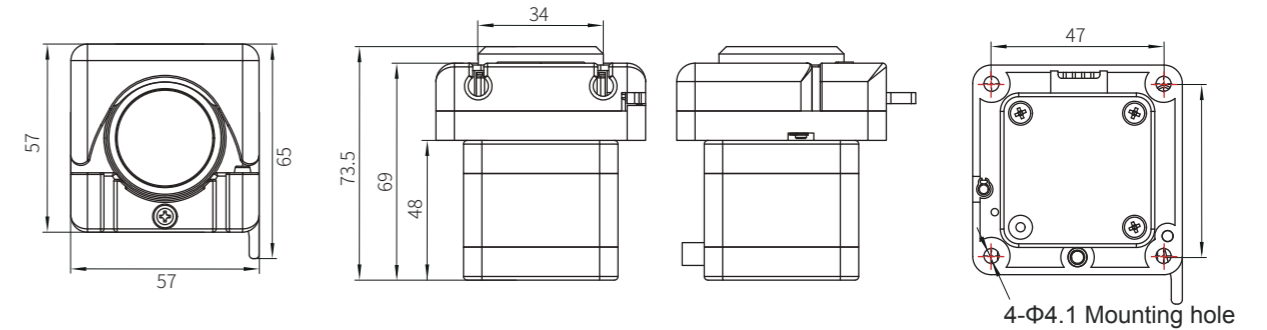
## BJ-RZ1030-4

42步进电机蠕动泵



- Excellent for low flow liquid transfer and metering
- Easy replace tubing, various standard tube sizes
- NMB stepper motor equipped, high accuracy and stability
- Brand label OEM support
- Widely used in medical, environmental, industrial analyzer

### Dimension (unit: mm)



### Technical Parameter

Model No.	Motor Type	Input Voltage	Rated Current	Rate Power	Speed	Net Weight	Working Environment	Max.DB
BJ-RZ1030-4	NMB 42 step motor	24V	1.1A	26.4W	≤400rpm	424g	Temp.0~40℃ Humidity<80%	70dB

42 step motor			
Max. power	9.2W	Resistance	3.8Ω±0.38
Step angle	1.8°	Inductance	5.2mH REF
Phase	2	Insulation	100m Ω MIN
Phase volt	4.2V	Temp.	80℃ MAX
Phase current	1.1A	Insulation grade	B

Motor wire	
Port	Wire color
A+	Orange
A-	Blue
B+	Red
B-	Yellow

### Flow Rate Table

Tubing	Rubber tube														Silicone tube		
	ID*WT(mm)	0.64*0.8	0.76*0.8	0.89*0.8	1.02*0.8	1.14*0.8	1.30*0.8	1.42*0.8	1.52*0.8	1.65*0.8	1.85*0.8	2.06*0.8	2.29*0.8	2.54*0.8	2.79*0.8	1*1	2*1
Flow Rate (ml/min)	0~12.5	0~17.3	0~22	0~28.2	0~33.4	0~42.5	0~51.9	0~59.4	0~72.2	0~89	0~101.9	0~112.6	0~137.6	0~146.9	0~26.1	0~105	0~170

Note: Test under room temperature 20℃ and no external pressure (water), flow rate may vary from different media, condition, pressure, humidity, temperature etc.

# BJ30 Peristaltic Pump

57步进电机蠕动泵



- Easy replace tubing, various standard tube sizes
- NMB stepper motor equipped, high accuracy and stability
- Pump head optional, replaceable and stackable
- Brand label OEM support
- Widely used in medical, environmental, industrial analyzer

## Pump Head



SN15/SN25



YZ1515X/YZ2515X

## Technical Parameter

Model No.	Motor Type	Input Voltage	Rated Current	Rate Power	Speed	Working Environment	Max.DB
BJ30	NMB 57 step motor	24V	1.5A (small motor) 2.3A (big motor)	36W (small motor) 55.2W (big motor)	≤400rpm	Temp.0~40℃ Humidity<80%	70dB

	small motor	big motor		small motor	big motor	Motor Wire		
Max. power	12W	18.8W	Resistance	1.15Ω±0.17	1.7Ω±0.17	Port	57 small motor	57 big motor
Step angle	1.8°	1.8°	Inductance	1.85mH REF	7mH REF	A+	Red	Orange
Phase	2	2	Insulation	100m Ω MIN	100m Ω MIN	A-	Yellow	Blue
Phase volt	2.6V	4.0V	Temp.	80℃ MAX	80℃ MAX	B+	Blue	Red
Phase current	2.3A	2.35A	Insulation grade	B	B	B-	Orange	Yellow

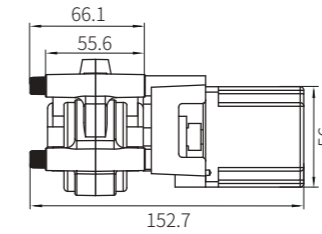
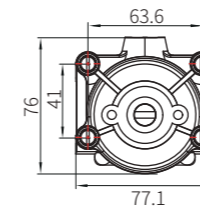
## Flow Rate Table (14# 16# - 57 small motor; 15# 17# 18# 24# 25# 57 big motor)

Model No.	Pump head	Color	Rollers	Tubing size	Max. Flow Rate	Weight
BJ30	SN15-3	semi-opaque	3	14# 16# 25# 17#	1380ml/min	671g (small motor)
	SN15-6		6	14# 16#	275ml/min	
	SN25-3		3	15#	790ml/min	
	YZ1515X-3B	3	14# 16# 25# 17# 18#	1490ml/min		
	YZ1515X-3H	white	6	14# 16#	259ml/min	1148g (big motor)
	YZ1515X-6B					
	YZ1515X-6H					
	YZ2515X-3B	white	3	3	15# 24#	
YZ2515X-3H	black					

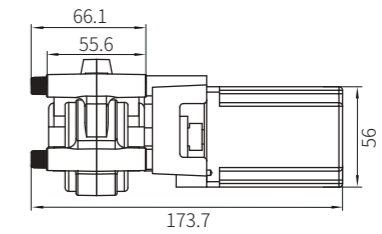
Note: Test under room temperature 20℃ and no external pressure (water), flow rate may vary from different media, condition, pressure, humidity, temperature etc.

## Dimension (unit: mm)

### BJ30-SN15/SN25

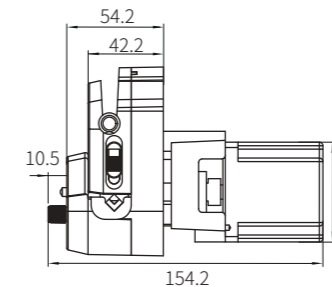
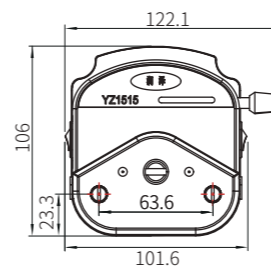


small motor

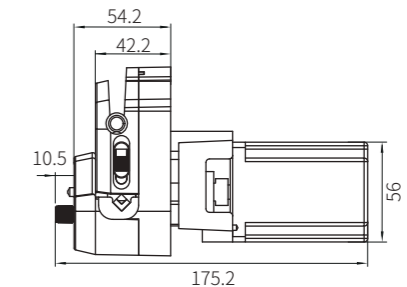


big motor

### BJ30-YZ1515X/YZ2515X

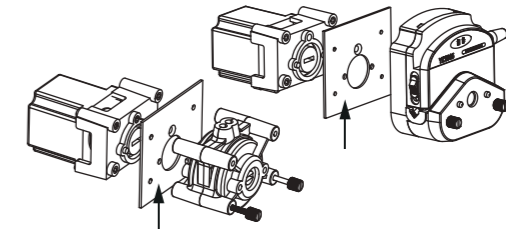
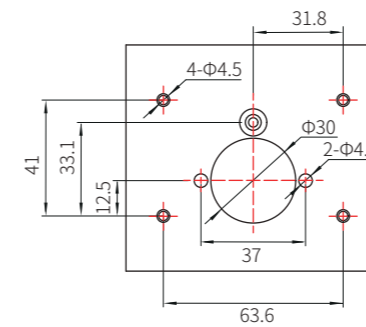


small motor



big motor

## Dimension (unit: mm)



# LM60 Peristaltic Pump

## 箱式蠕动泵



- Metering mode: continuous, booking, rationing, calibration
- Foot pedal (switch) control support
- Preset dispensing volume, interval time, cycle times
- Speed resolution 0.1rpm and flow rate calibration lead to high accuracy dispensing volume
- LCD display screen and membrane buttons works together to control speed, flow rate, volume and time
- Mainly used for bottle fillings in laboratory and production line

### LM60A Pump Head



### LM60B Pump Head



### Working Mode

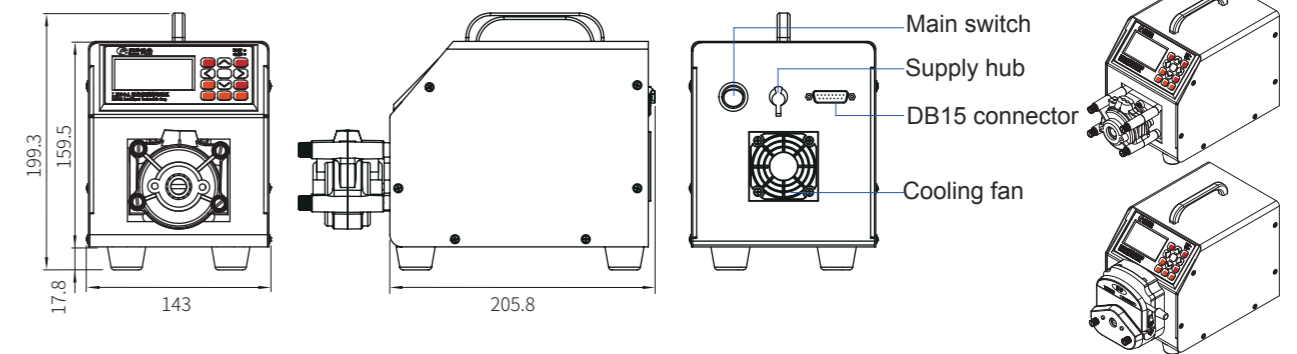
1. **Calibration Mode** - For ensure accuracy of dispensing volume and flow rate before starting any other working mode or when pump/tubing get replaced
2. **Continuous Mode** - For continuous liquid transfer with no specific requirements
3. **Rationing Mode** - Realize one-off liquid dispensing in specific volume within specific period of time under specific speed
4. **Reservation Mode** - Realize liquid dispensing in specific volume at N times under specific speed

### Technical Parameter

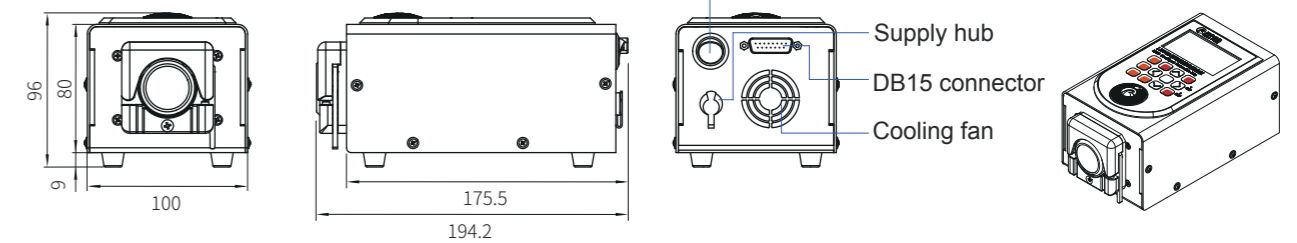
Model No.	LM60A	LM60B
Speed range	0.1rpm~300/400rpm(Maximum speed vary from different pump heads,tube type and tube sizes)	
Speed resolution	±0.1rpm	
Working mode	Continuous mode, Rationing mode, Booking mode, Calibration mode	
Pedal signal port	Foot pedal switch control start and stop (only keyboard control mode)	
Speed signal port	Foot pedal switch control start and stop (only keyboard control mode)	
Direction signal port	Support steering switch control input (external control mode only)	
ON/OFF signal port	Support ON/OFF switch control input (external control mode only)	
Communication port	RS232/RS485 (only in communication control mode)	
Rotary coding port	—	can rotate to change editing position and content (only LM60B)
Motor input voltage	DC24V±10%	
Power supply	AC110V-240V,50/60HZ	
Power	35W	20W
Operating temperature	0°C~40°C	
Operating humidity	<80% relative humidity, non-condensing	
Protection level	IP31	
Net weight	3.5kg (without pump head)	1.45kg(without pump head)

### Dimension (unit: mm)

#### LM60A



#### LM60B



### Flow Rate Table

Model No.	Pump head	Color	Rollers	Max. Flow Rate(ml/min)													
				14#	16#	25#	17#	15#	24#								
LM60A	SN15-3	semi-opaque	3	77 (300rpm)	285 (300rpm)	600 (300rpm)	1097 (300rpm)	—	—								
	SN15-6		6	48 (300rpm)	180 (300rpm)	—	—	—	—								
	SN25-3		3	—	—	—	—	551 (300rpm)	—								
	YZ1515X-3B	white	3	108 (400rpm)	385 (400rpm)	750 (400rpm)	1385 (400rpm)	—	—								
	YZ1515X-3H			black	—	—	—	—	—								
	YZ1515X-6B	white	6	84 (400rpm)	265 (400rpm)	—	—	—	—								
	YZ1515X-6H			black	—	—	—	—	—								
	YZ2515X-3B	white	3	—	—	—	—	797 (400rpm)	1322 (400rpm)								
YZ2515X-3H	black			—	—	—	—	—									
Model No.	Pump head	Color	Rollers	Tube size (mm)												Max. Flow Rate (ml/min)	
LM60B	RZ1030-4	black	4	WT	0.8												117 (400rpm)
				ID	0.64	0.76	0.89	1.02	1.14	1.30	1.42	1.52	1.65	1.85	2.06	2.29	

Note: 1. (300rpm)(400rpm) is the maximum speed under specific pump head and tube size.  
2. Test under room temperature 20°C and no external pressure (water), flow rate may vary from different media, condition, pressure, humidity, temperature etc.